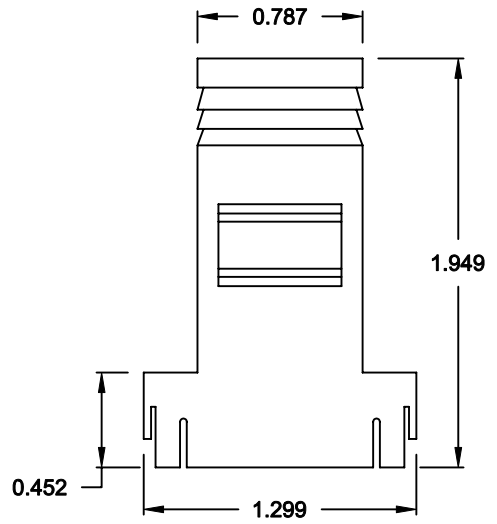
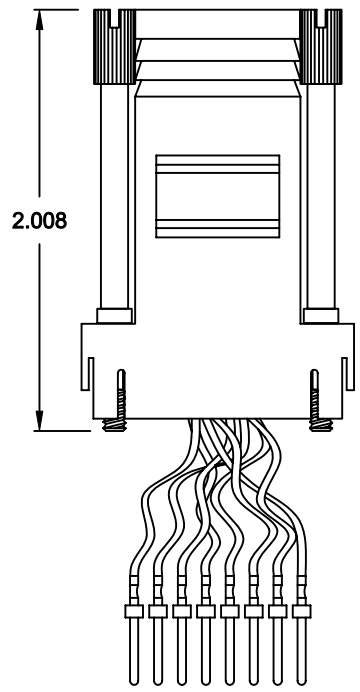


DESCRIPTION: RJ-45 TO 9-POSITION MALE D-SUB - PLASTIC & METALIZED PLASTIC

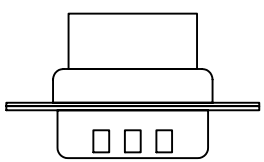
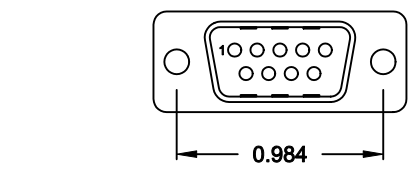
MATERIAL:

HOOD: ABS UL 94V-HB

RJADK09P70808Y1



SERIES _____
 POSITIONS _____
 09 _____
 GENDER _____
 P = MALE _____
 D-SUB TERMINALS _____
 7 = CRIMP & POKE (CONTACTS PRE-CRIMPED) _____
 MODULAR POSITIONS _____
 08 _____
 MODULAR POSITIONS LOADED _____
 08 _____
 COLOR _____
 1 = BLACK _____
 2 = METALIZED (SHIELD RATING: 60dB) _____
 3 = GRAY _____
 D-SUB CONTACT PLATING _____
 1 = GOLD FLASH _____



RJ45	DB-09M
1. BLUE 2. ORANGE 3. BLACK 4. RED 5. GREEN 6. YELLOW 7. BROWN 8. WHITE	<p>FRONT VIEW</p>

DO NOT SCALE FROM DRAWING

RoHS COMPLIANT

	THESE DRAWINGS AND SPECIFICATIONS ARE THE PROPERTY OF NorComp AND SHALL NOT BE REPRODUCED, COPIED OR USED AS THE BASIS FOR THE MANUFACTURE OF SALE OF APPARATUS WITHOUT WRITTEN PERMISSION.		DRAWN: C. SMITH	DATE: 05-17-07
			CHECKED:	DATE:
NorComp		SCALE: N.T.S.	SHEET 1	OF 1
		DWG NO. RJADK09P70808Y1		